



FLBA01 & FLBRS01 FORKLIFT SAFETY LAMPS

- 10-80V Extended Voltage Range
- IP67 Ingress Protection
- Fully ECE Approved
- 3 Year Warranty

- Shock, Water and Dust Proof, Highly Durable
- Choice of Arrow or Circle Shape Projection
- Optimal Distance to Projection Surface: Approx 2.5m
- Current Draw (10V/80V): 0.55A/0.09A



BLUE ARROW FORKLIFT SAFETY LAMP

FLBA01



BLUE SPOT FORKLIFT SAFETY LAMP

FLBRS01

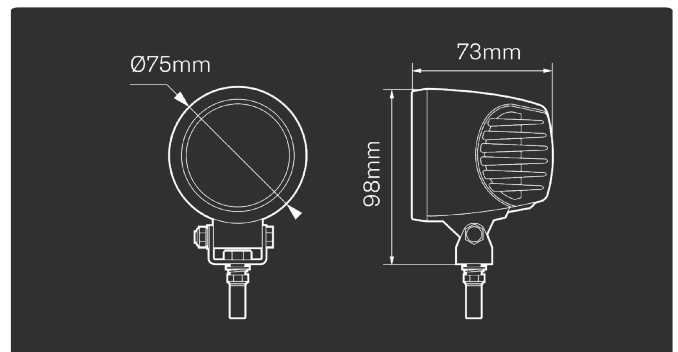


IP67
100%
WATERPROOF

10-80V
MULTI
VOLTAGE

R10
ECE
APPROVED

3
THREE YEAR
WARRANTY



OVERALL DIMENSIONS 98 x 75 x 73mm

CABLE LENGTH Approx. 450mm

WIRING COLOUR CODES

RED: Power [+], BLACK: Earth [-]